

DornerWorks 1 GBPS MAC IP

The 1Gbps MAC FPGA IP allows a user's custom logic to communicate over Ethernet by providing standard AMBA interfaces to an Ethernet PHY (physical interface).

DornerWorks 1Gbps MAC IP supports proven interoperability with Microchip FPGAs to reduce risk.

PRODUCT NAME:
1 GBPS MAC IP

PRODUCT ID:
1GMACIP

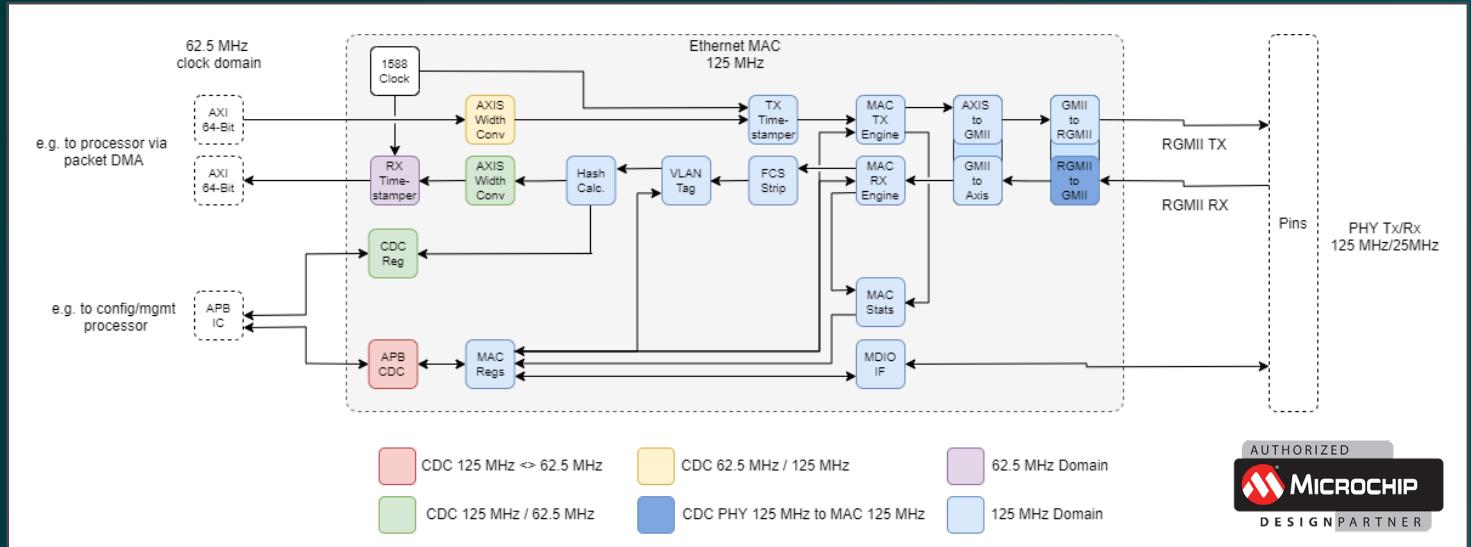
LICENSING OPTIONS:
PROJECT, SOURCE CODE

KEY FEATURES

- 1000/100 Mbps full-duplex MAC (IEEE 802.3)
- MII/RMII/GMII/RGMII and TBI/1000Base-X physical interfaces
- MDIO PHY configuration interface
- IEEE 1588-2008 (v2) and 1588-2002 (v1) ingress and egress hardware timestamping*
- Streaming IP with no packet buffering minimizes latency and maximizes determinism
- Standard AMBA interfaces
- IEEE 802.1Q VLAN-tagging
- Ethernet packet DMA IP to integrate soft or hardcore processor
- Packet FCS output for verification
- Unique packet hash output for routing

* Requires 1588 software to execute protocol

IP BLOCK DIAGRAM



The FPGA logic in DornerWorks 1Gbps MAC IP was developed for Microchip FPGAs. The 1Gbps MAC IP has built-in high-accuracy features to help you develop your products successfully, without frustration.

GET THE 1GBPS MAC IP TODAY

DornerWorks.com | +1.616.245.8369